

*A compact, wall-mounted electric boiler, the Electro*

# Mini-Boiler™

## Radiant Floor Specific

*100% efficient*

*Escalating gas prices*

*Electric rates remain stable*



*THE BOILER THAT STARTED IT ALL . . .*

*Affordable hydronic warm floor in lower levels, bathrooms, and kitchen areas, in combination with standard forced air cool and heat for remaining part of house.*

*Lower equipment cost and competitive electric rates makes the Mini-Boiler your best value.*



**Electro**  
*Providing Comfort Through  
Efficient Energy Solutions*

## SPECIFICATIONS

Model Number	Single Phase	Single Phase	D.O.E Capacity Btu/h	Boiler Amps	Water Content		Weight	
	kW@240VAC	kW@120VAC			Gal	L	Lb	Kg
EMB-2		2.5	8,532	21				
EMB-4		5	17,065	42				
EMB-5	4.5		15,358	18.75				
EMB-9	9		30,717	37.5				
EMB-W-9*	9		30,717	37.5				
Common to All Models					1	4	50	23

\*The "W" version is equipped with the WarmFlo control.

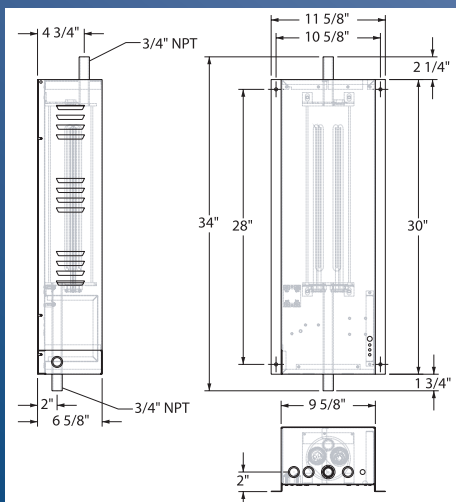
## ELECTRICAL

- Load management control provisions
- Circulator switching relay - 10-amp maximum
- R and W thermostat switching
- Hi-limits: 1<sup>st</sup> - automatic reset at 160° F  
2<sup>nd</sup> - manual reset at 205° F
- Heating elements (15-year warranty):  
17" long, plus fold back  
Very low watt density  
75 watts per square inch

## STANDARD EQUIPMENT

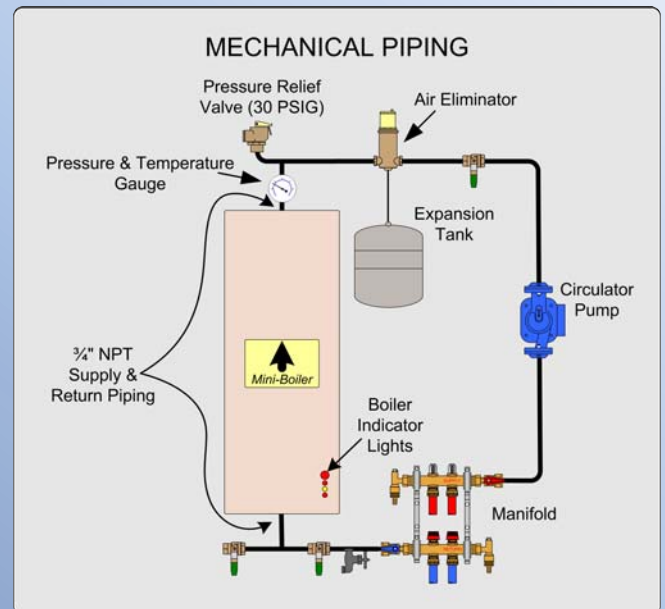
- Pressure/temperature gauge
- Safety relief valve (30 PSI)
- Steel vessel (15-year warranty)
- Heavy duty sheet metal enclosure
- Controls and control wiring
- LED indicator lights

## DIMENSIONS



Clearance Requirements for Service Accessibility

Left	6"
Right	6"
Top	12"
Bottom	18"
Rear	0"
Front	Door Removal



## WarmFlo®

- The affordable electric built-in aquastat that modulates the electric elements
- The WarmFlo control strategy will target the boiler supply water temperature based on a desired preset value
- Multiple zones with different flow requirements are no longer an issue
- WarmFlo is a powerful option for any application

## Electro-Stat™

- Slab sensing thermostat provides the best control
- When this Mini-Boiler is combined with a forced air furnace, cannot use two air stats - Electro's slab stat is the answer

Specifications subject to change without notice, all rights reserved.

Providing Comfort Through Efficient Energy Solutions



**ELECTRO INDUSTRIES, INC.**

2150 West River Street, PO Box 538, Monticello, MN 55362  
763.295.4138 • 800.922.4138 • fax 763.295.4434  
sales@electromn.com • www.electromn.com

Two-year parts warranty from date of original installation.

BL301